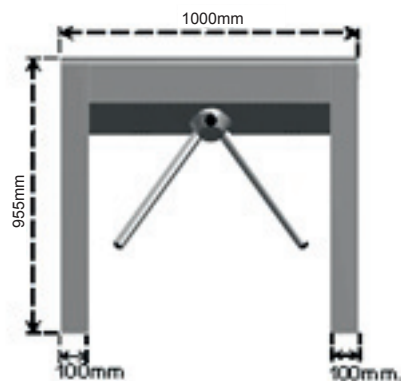
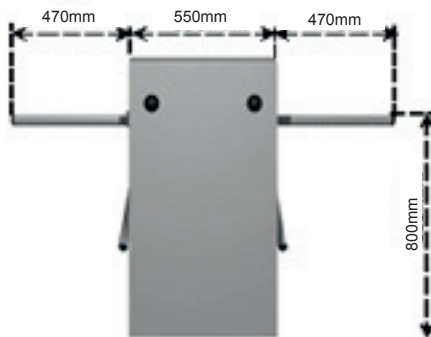


# 700D

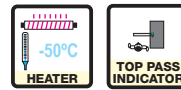
## Double waist height turnstile



## Features

- Single central structure with two independent rotors.
- Stainless steel construction.
- Side pass indicators.
- Both rotors with full bidirectional control.
- Activated by dry contact or via TTL input 5-48v.
- Can be activated by most access control units and token systems.

## Options



## Specification

- Dimensions:** 1000 x 995 x 550 + Arm length (2 x 470mm).
- Weight:** 65kg.
- Body:** 2 mm (304) Stainless Steel or powder coated sheet metal. Both alternatives are protected against water for external use.
- Arms:** Ø 40 x 2.5mm (304) Stainless Steel.
- Power:** 220 v. 50 Hz. Standby ~22W. Max. ~120W.
- Temperature:** -10°C/+45°C (Opt. -50°C with heater unit)
- Flow Rate:** Number of People/minute 12 to 30 max each side dependant on environment & access control system.